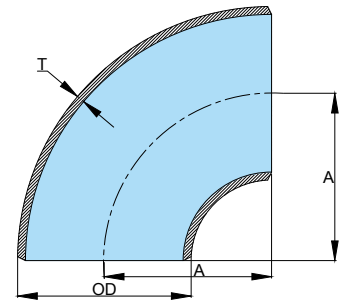




# 90° Elbow

(long, short)



## ANSI /ASME B16.9 (1986) & ANSI/ASME B16.28 (1986)

Nominal Pipe Size NPS	Outside Diameter OD	90° Center to End Long		90° Center to End Short
		A	B	A
1/2	21.3	38	16	..
3/4	26.7	38	19	..
1	33.4	38	22	25
1 1/4	42.2	48	25	32
1 1/2	48.3	57	29	38
2	60.3	76	35	51
2 1/2	73.0	95	44	64
3	88.9	114	51	76
3 1/2	101.6	133	57	89
4	114.3	152	64	102
5	141.3	190	79	127
6	168.3	229	95	152
8	219.1	305	127	203
10	273.0	381	159	254
12	323.8	457	190	305
14	355.6	533	222	356
16	406.4	610	254	406
18	457	686	286	457
20	508	762	318	508
22	559	838	343	559
24	610	914	381	610
26	660	991	405	..
28	711	1067	438	..
30	762	1143	470	..
32	813	1219	502	..
34	864	1295	533	..
36	914	1372	565	..
38	965	1448	600	..
40	1016	1524	632	..
42	1067	1600	660	..
44	1118	1676	695	..
46	1168	1753	727	..
48	1219	1829	759	..